

FIG. 5

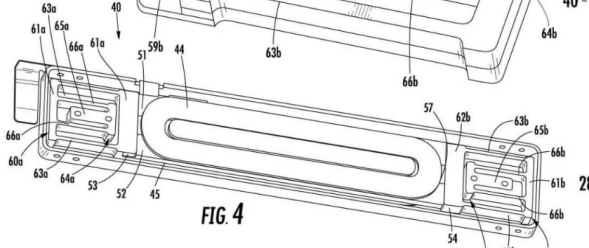


FIG. 4

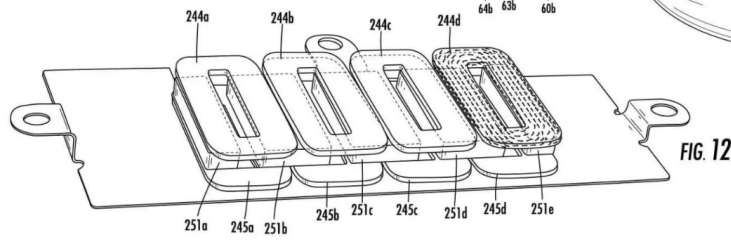


FIG. 12

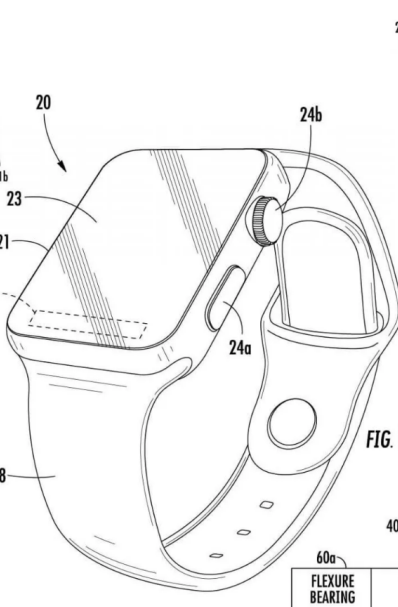


FIG. 7

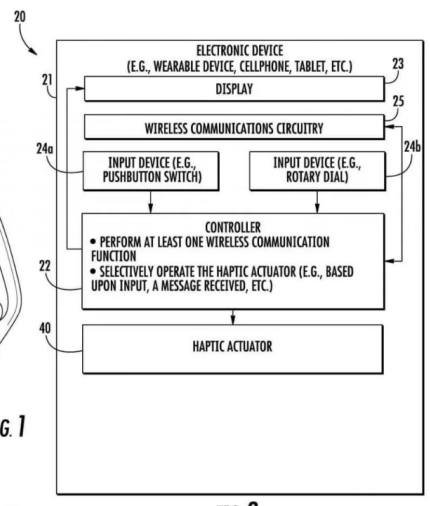


FIG. 2

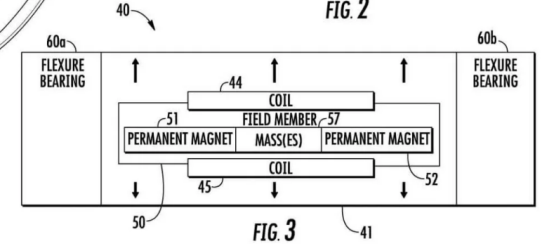


FIG. 3

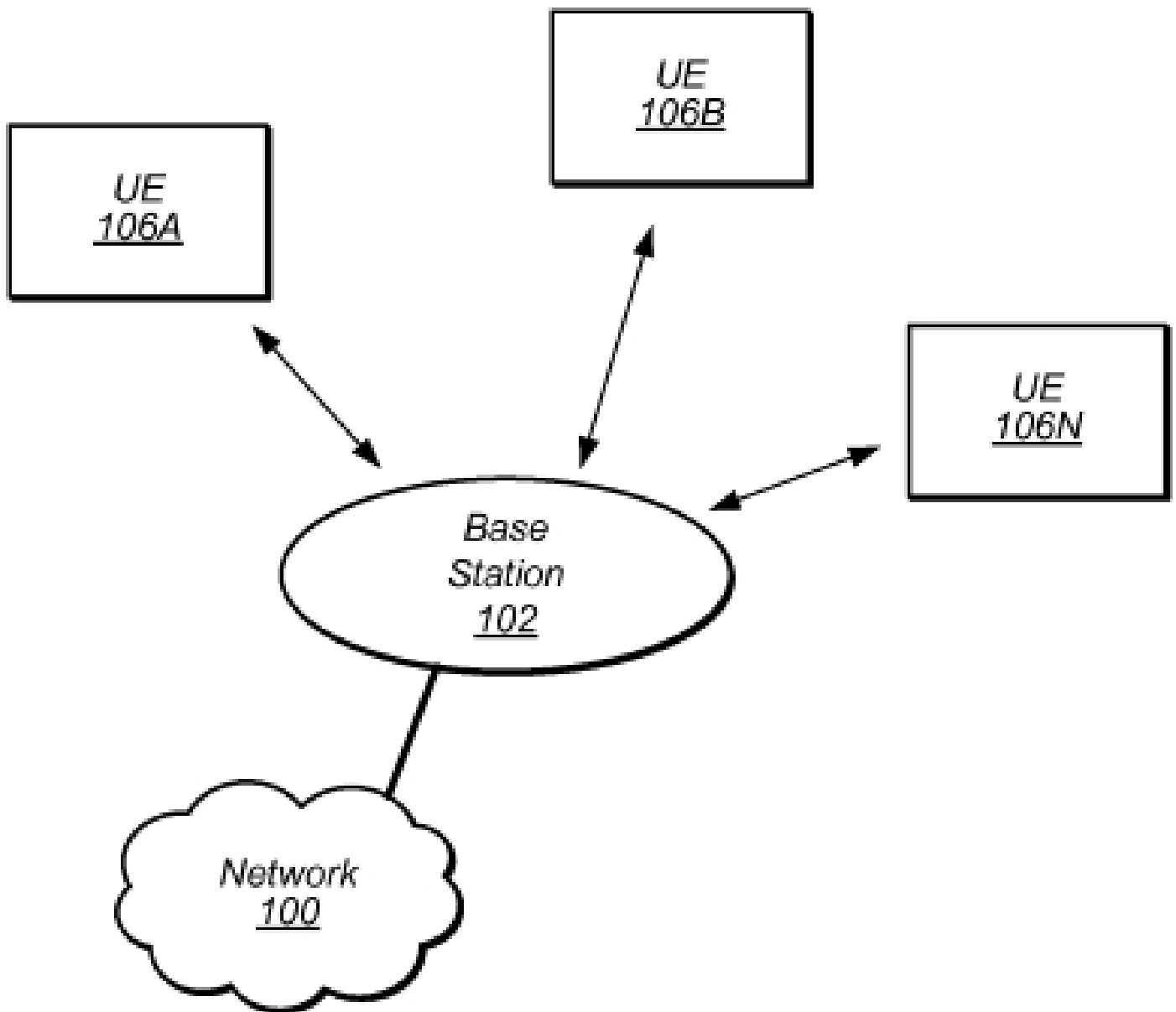


FIG. 1

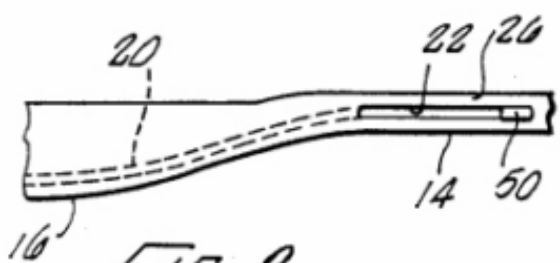


FIG. 8.

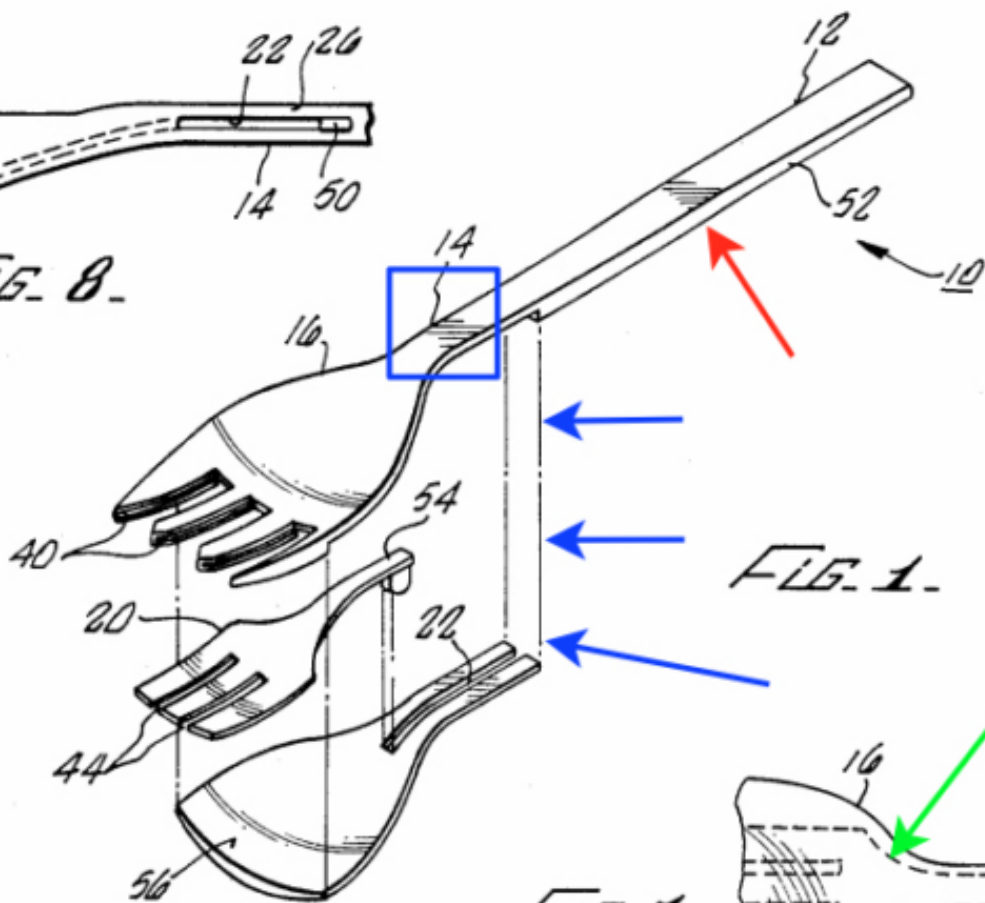


FIG. 1.

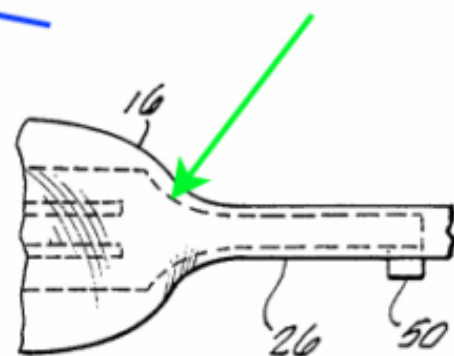


FIG. 1.

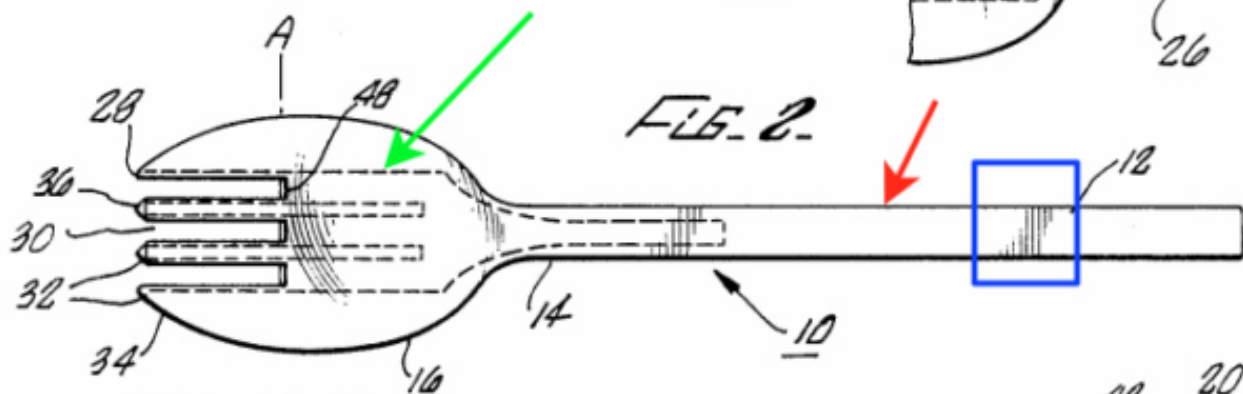


FIG. 2.

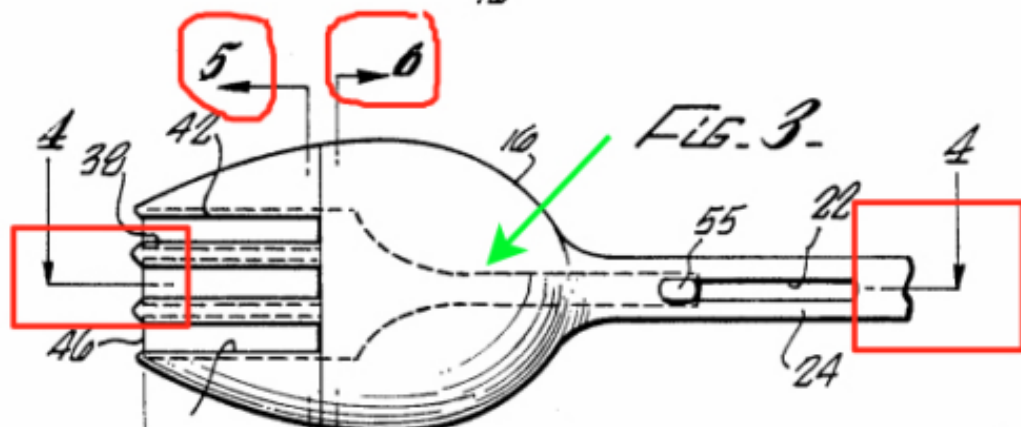


FIG. 3.

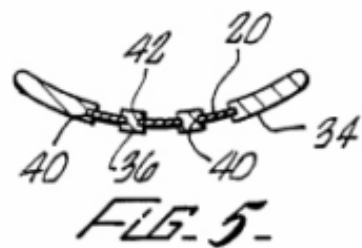


FIG. 5.

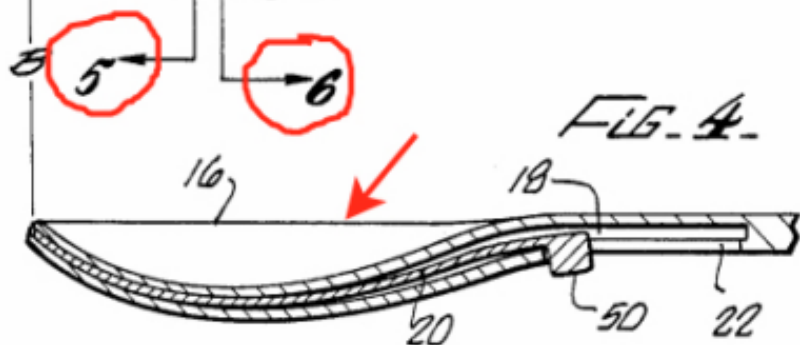


FIG. 4.

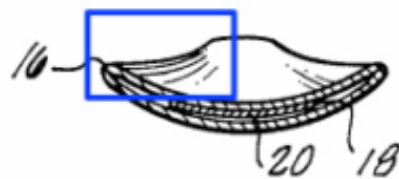
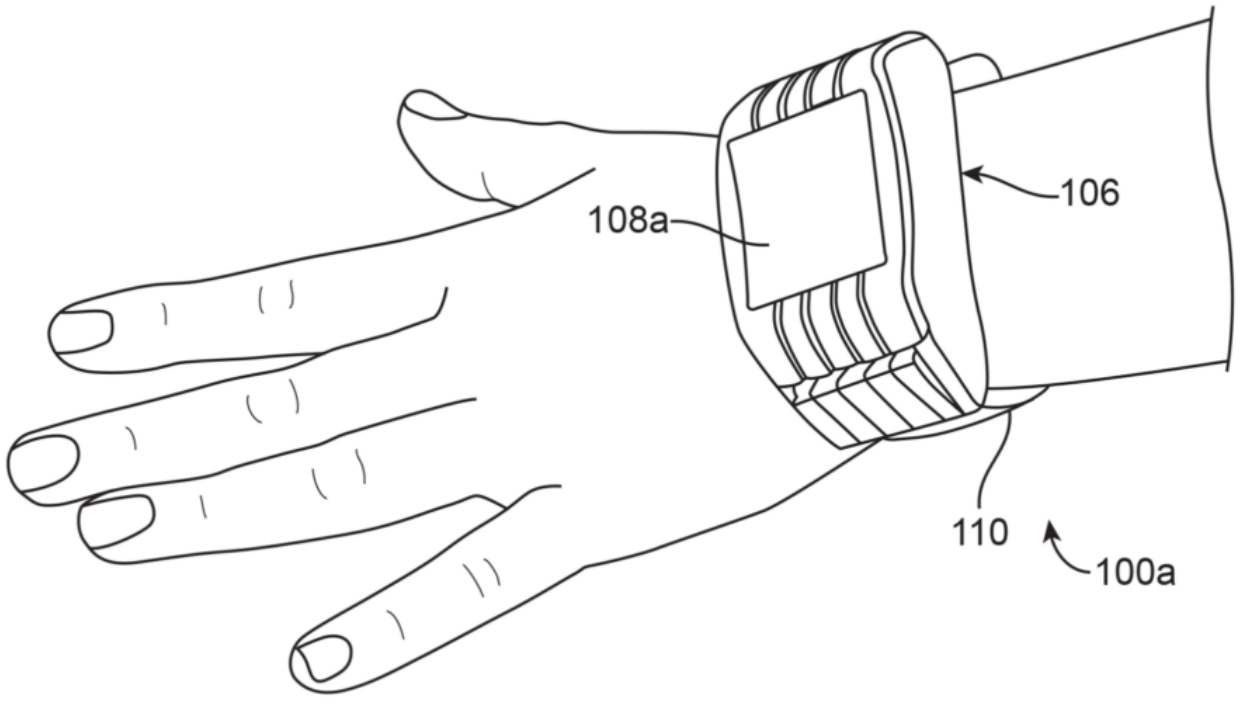


FIG. 6.





US007029009B2

(12) **United States Patent**
Grauzer et al.

(10) **Patent No.:** **US 7,029,009 B2**
(45) **Date of Patent:** **Apr. 18, 2006**

(54) **PLAYING CARD DEALING SHOE WITH
AUTOMATED INTERNAL CARD FEEDING
AND CARD READING**

(75) Inventors: **Attila Grauzer**, Las Vegas, NV (US);
Oliver M. Schubert, Las Vegas, NV
(US); **James V. Kelly**, Las Vegas, NV
(US); **James B. Stasson**, Eden Prairie,
MN (US); **Paul K. Scheper**, Eden
Prairie, MN (US)

(73) Assignee: **Shuffle Master, Inc.**, Las Vegas, NV
(US)

(*) Notice: Subject to any disclaimer, the term of this
patent is extended or adjusted under 35
U.S.C. 154(b) by 0 days.

(21) Appl No.: **10/622,321**

(22) Filed: **Jul. 17, 2003**

(65) **Prior Publication Data**
US 2005/0012269 A1 Jun. 20, 2005

(51) **Int. Cl.**
463F 1/14 (2006.01)
(52) **U.S. Cl.** **273/149 P; 273/149 R**
(58) **Field of Classification Search** **273/149 R,**
273/149 P, 148 A
See application file for complete search history.

(56) **References Cited**
U.S. PATENT DOCUMENTS

- 4,667,959 A 5/1987 Pfeiffer et al.
- 4,750,743 A 6/1988 Nicoletti
- 5,356,145 A 10/1994 Verschoor
- 5,374,061 A 12/1994 Albrecht
- 5,605,334 A 2/1997 McCrea, Jr.
- 5,669,816 A 9/1997 Garczynski et al.

- 5,681,039 A 10/1997 Miller
- 5,722,893 A 3/1998 Hill et al.
- 5,772,505 A 6/1998 Garczynski et al.
- 5,779,546 A 7/1998 Meisner et al.
- 5,941,760 A 8/1999 Orler
- 5,989,122 A 11/1999 Robtje
- 6,039,650 A 3/2000 Hill
- 6,093,103 A 7/2000 McCrea, Jr.
- 6,117,012 A 9/2000 McCrea, Jr.
- 6,126,166 A 10/2000 Larson et al.
- 6,165,060 A 12/2000 Sines et al.
- 6,217,447 B1 4/2001 Lefink et al.

(Continued)

FOREIGN PATENT DOCUMENTS

WO WO 00/51076 8/2000

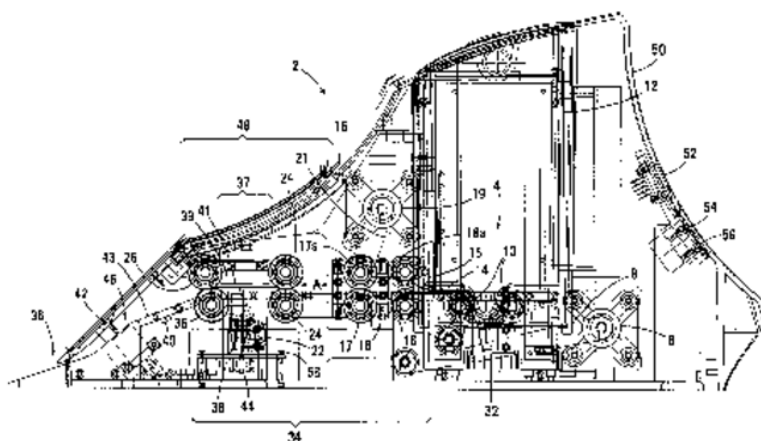
(Continued)

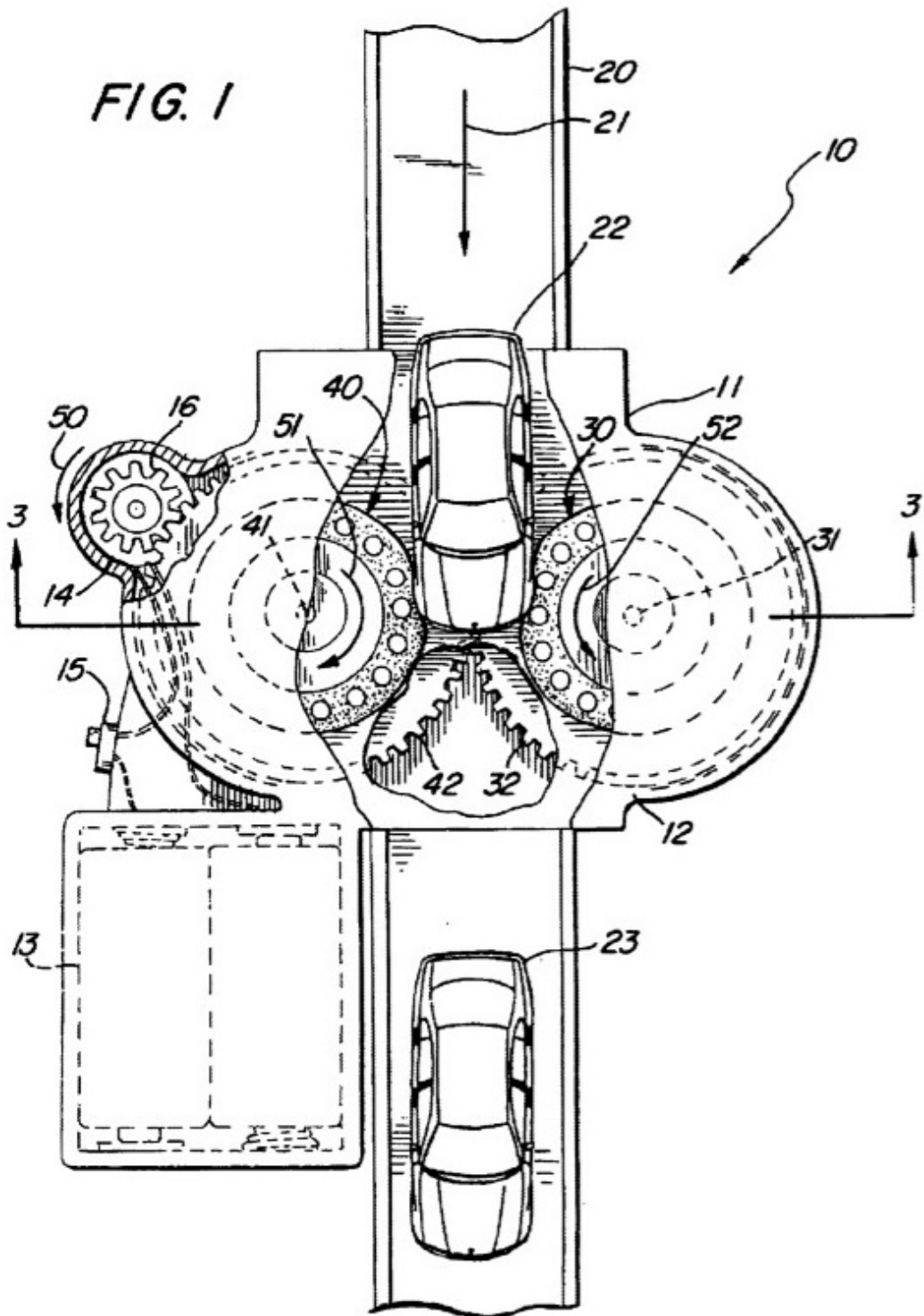
Primary Examiner Benjamin Layne
(74) *Attorney, Agent, or Firm* Mack A. Litman &
Associates, P.A.

(57) **ABSTRACT**

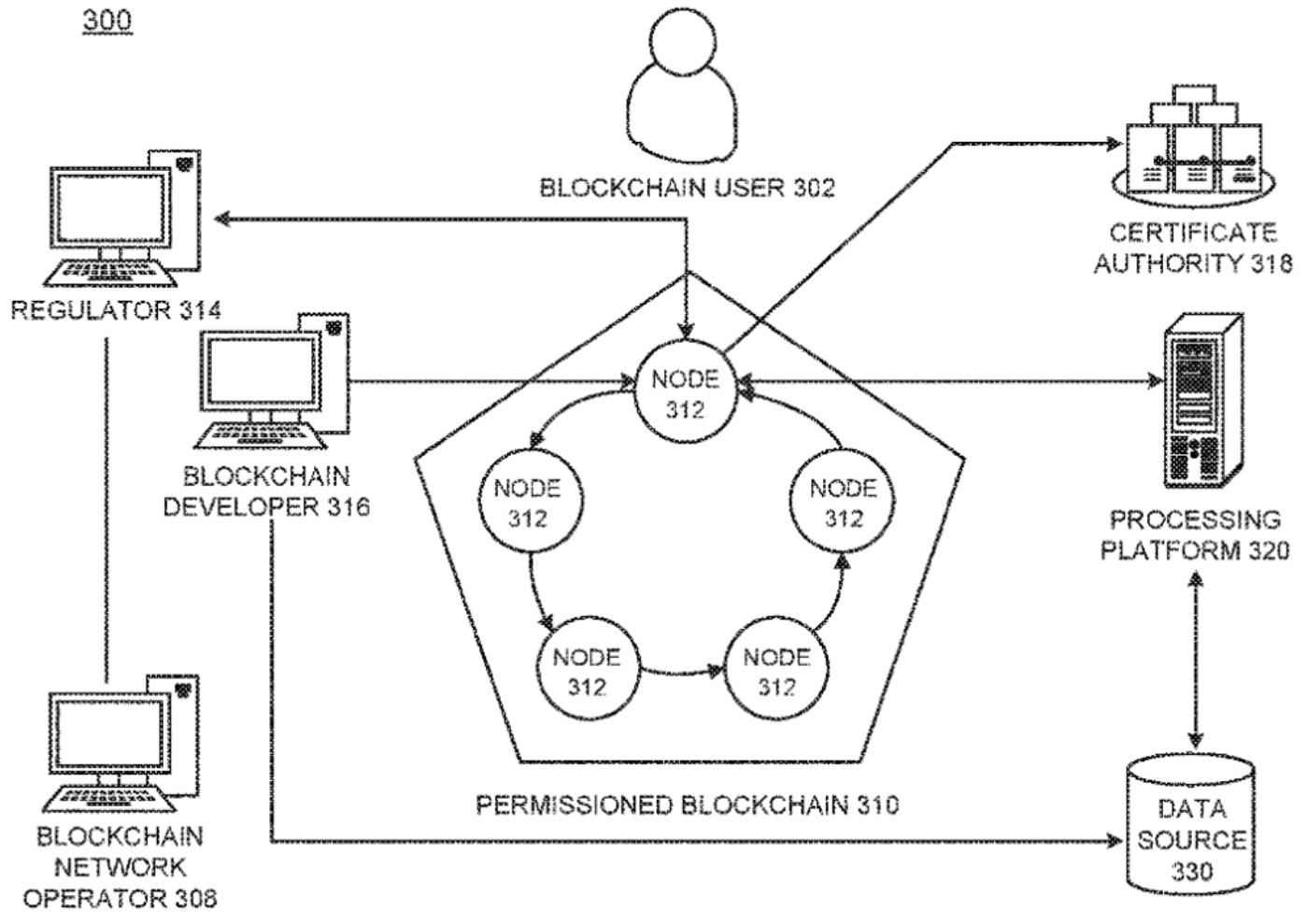
A distinct dealing shoe having no shuffling functionality receives shuffled, randomized or ordered group of cards. The cards may be mechanically moved one at a time from a receiving area for the deck to a buffer area where more than one card is temporarily stored. The cards in the buffer area are then mechanically moved to a card delivery area where the cards may be manually removed, one-at-a-time, by a dealer. The cards are read one-at-a-time inside of the dealing shoe, either before the buffer area or after leaving the buffer area, but preferably before the cards are being manually removed from the card delivery area. The information from the card reading may be used for game tracking, hand tracking, player information, and other security issues at casino table card games.

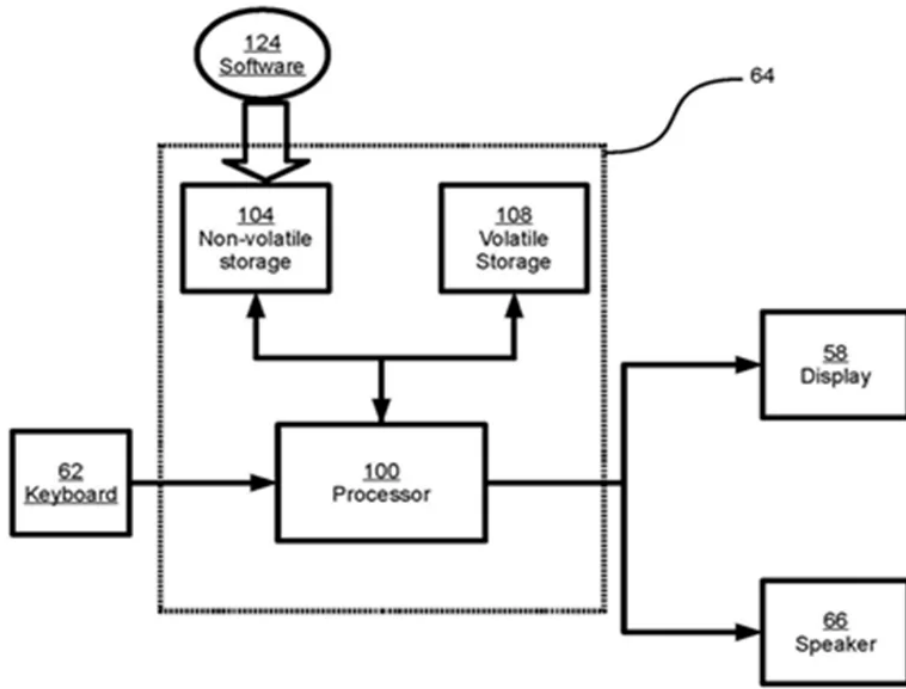
10 Claims, 3 Drawing Sheets





300





BLOCK DIAGRAM REPRESENTATION OF FIGURE 1

Fig. 2

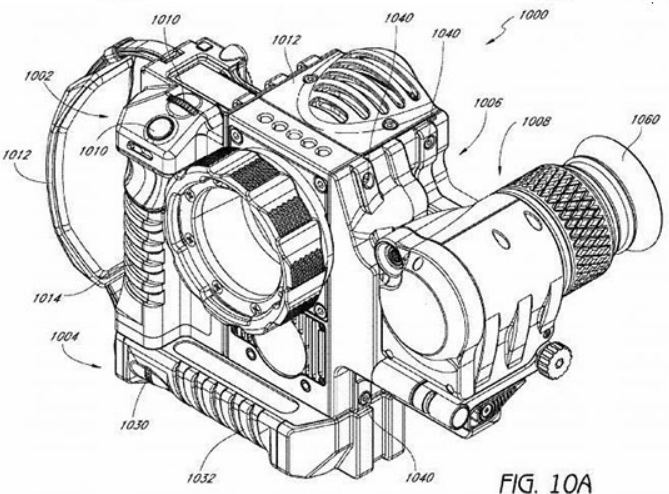
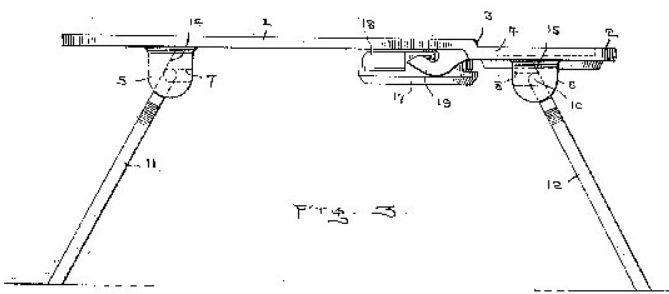
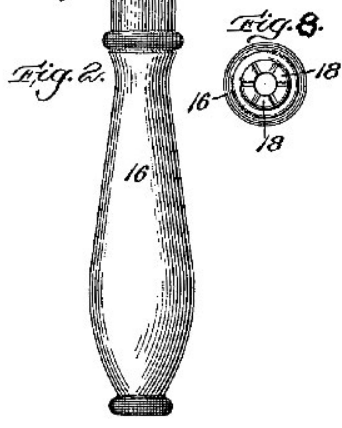
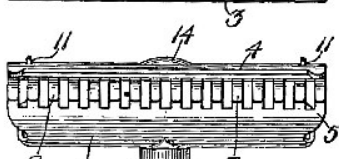
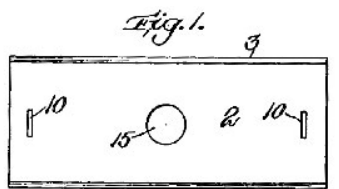
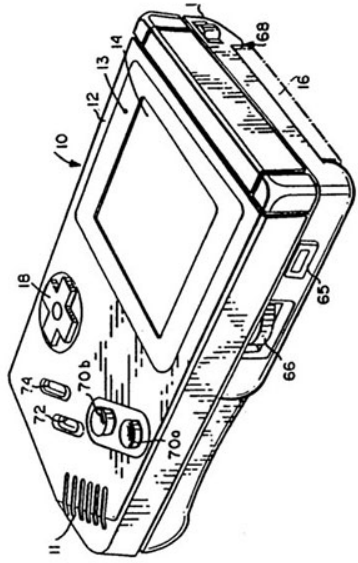
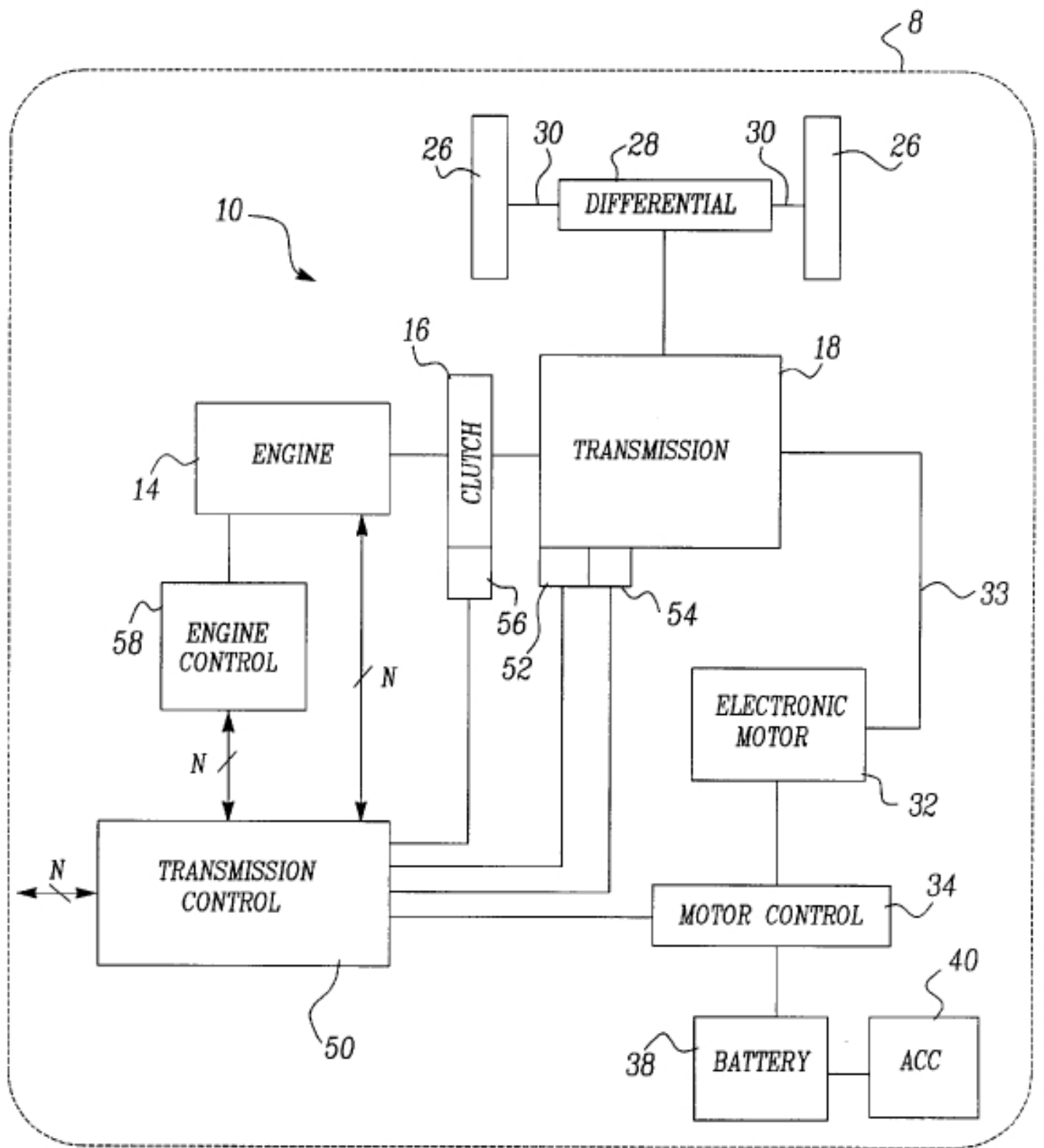


FIG. 10A





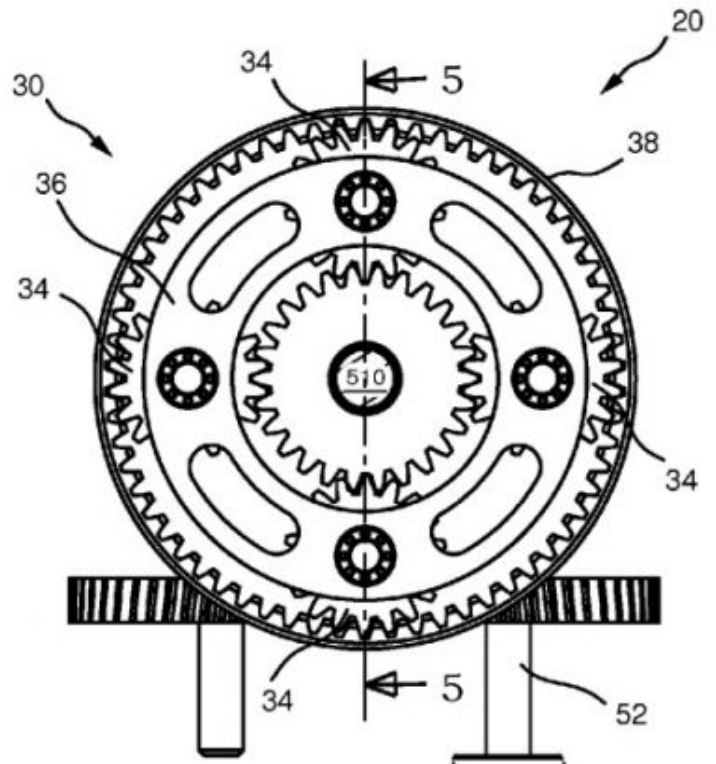


FIG. 2

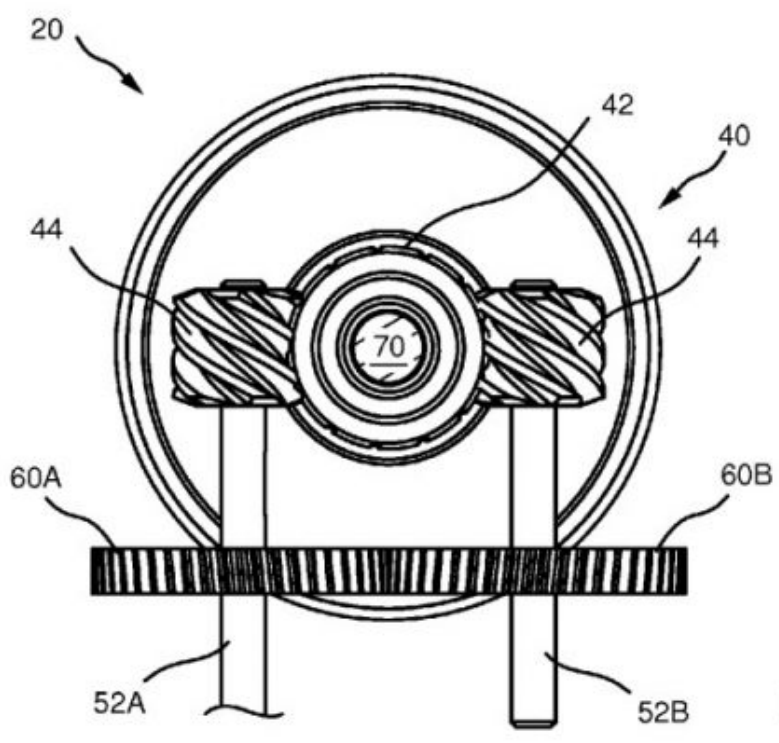
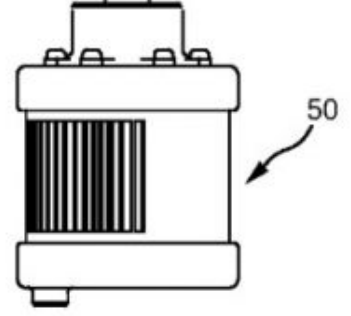


FIG. 3